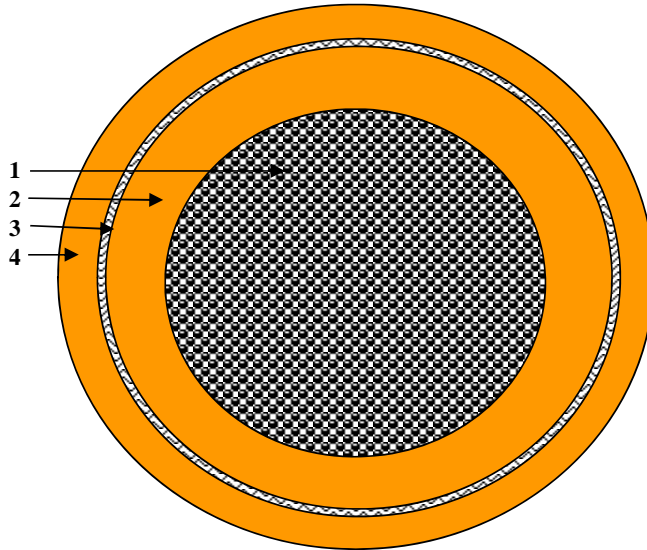


REV.	DESCRIPTION	DATE
0	Initial release.	9/26/2014

**General Properties** High Voltage 2/0 EXTRAD HVFX/XLE Shielded Cable

**Application** Hybrid or Electric Powered Vehicles

**General Composition of Cable** See Below



**Color Code**

Inner	Orange
Outer Jacket	Orange

Physical Data		Dimensions (Nom.)	
Description		inches	mm
1. Conductor:	2/0 1254/30 bare copper	0.438	11.13
2. Insulation:	EXRAD HVFX wall thickness: 60 mil	0.558	14.17
3. Shield	34 AWG tinned copper braid 95% minimum coverage	0.586	14.88
4. Jacket	EXRAD XLE wall thickness: 40 mil	0.666	16.92
		Outside diameter tolerance	+/- 0.015 +/- 0.38mm

Print Legend: EXTRAD HVFX/XLE 2/0 AWG Shielded Cable XXXXX xxxxx-lot code

**Electrical Data**

Conductor Resistance:: 0.082 ohms/kft 0.269 ohms/km @20° C nominal

Voltage Rating 1000 volts max, per SAE 1654, Tested to UL 758 Section 28

**General Data**

Use: High Voltage Power Cables for Electric or Hybrid Vehicles

Temperature Range: -55° C to +150° C per ISO 6722 3000 Hours

Primary Insulation Meets Requirements of ISO 6722 Class D 150° C

Jacket Insulation Meets Requirements of ISO 6722 Class D 150° C

Weight 561 pounds/kft

Bend Radius: inches mm  
2.7 68



TITLE

**2/0 BC EXTRAD HVFX/XLE Shielded Cable**

UNLESS OTHERWISE SPECIFIED, DIMENSIONS AND TOLERANCES ARE IN INCHES

DO NOT SCALE THIS DRAWING

DRN.	Richard Antic	DATE	9/26/2014
CKD.		DATE	
SIZE	PART NUMBER	DOCUMENT NUMBER	
A	15-08093-001	14830	

The information on this drawing is the proprietary property of Champlain Cable Corporation, and may not be used, reproduced or disclosed to others, in whole or in part, without written authorization.