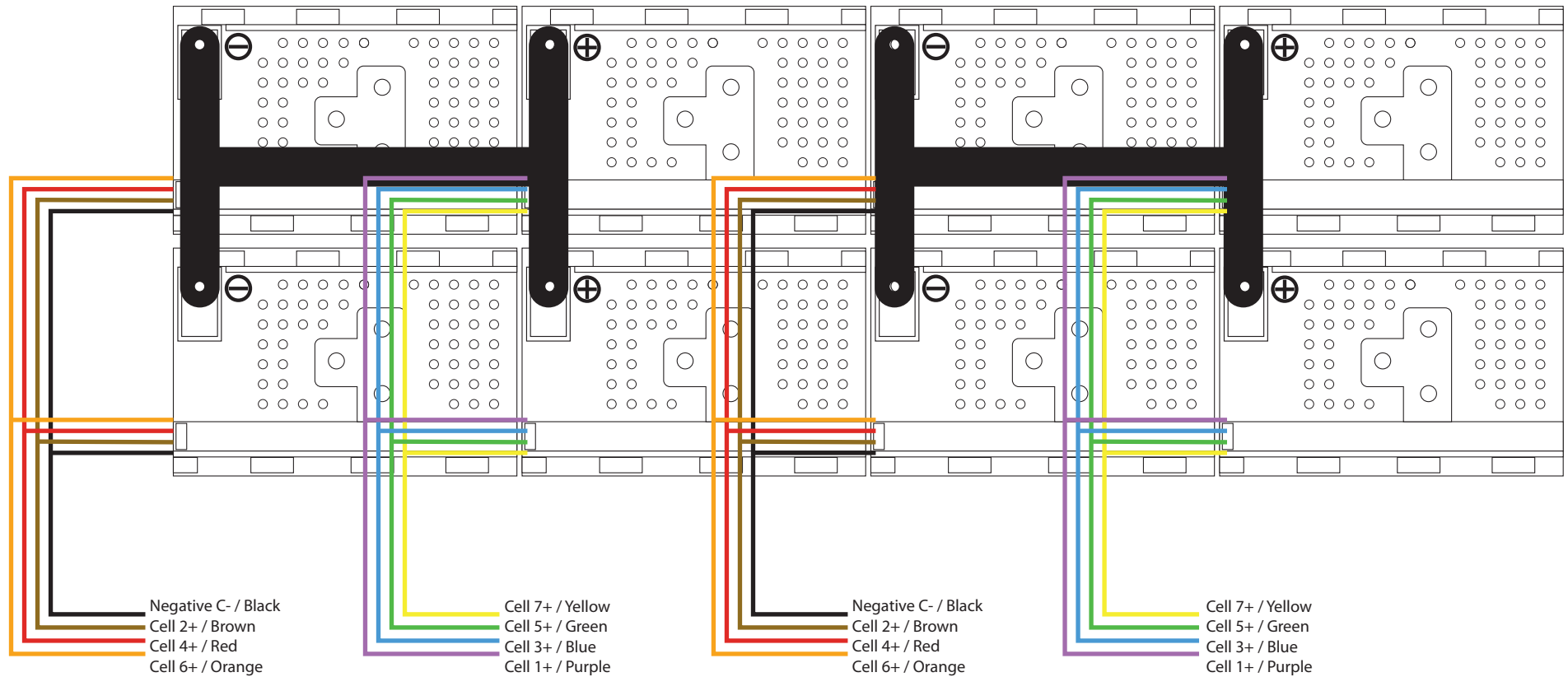




EV West - LG Chem JH3 7S Module - Parallel Wiring

Revision 1.1 - May 2022

Example 2P4S JH3 Module Wiring Guide
(not shown, far side of module with bus bars and BMS cell taps, these are symmetrical to the frontside, opposite polarity.)



Note: By combining the BMS cell leads for the two cells in parallel, both of these modules can now be monitored as one in the BMS system, and the connection allows capacity balancing between the two modules at the cell level.

